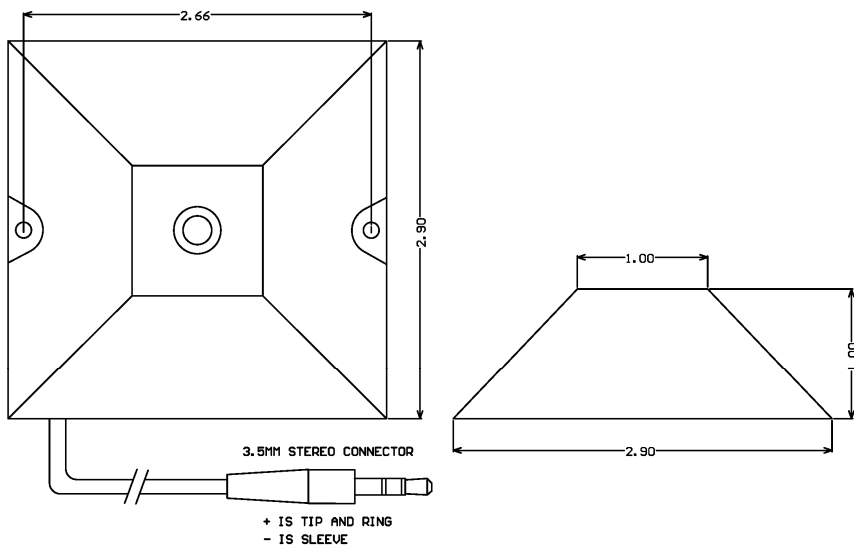


## ML1-WPCF Compact Weather Proof, surface mount microphone

### Description

The ML1-WPCF is a low cost, IP67 rated, omni-directional electret microphone for use with IP cameras accepting **microphone level input** signals (PC compatible input). The attached cord is 6ft long and comes standard with a stereo 3.5mm connector on one end. Add -FL in the P/N for a flying lead output for connections to cameras with terminal blocks.

Note-camera must accept electret type microphone inputs (camera supplies power to ECM cartridge)



### ML1-WPCF Specifications

- Omni-directional pattern
- Max SPL 120db
- Frequency response: 50-16khz
- Sensitivity -43db
- -40dbm output (mic level)
- 2-10Vdc operation
- 2-5k Ohm load resistance
- S/N 60db
- 3.5mm stereo connector
- Aluminum housing
- IP67 rated
- Operating temperature -30 to 85C
- Weight: 0.10 lbs

### Caution

It is the responsibility of the installation company and end user to install this audio surveillance equipment in compliance with state and federal privacy laws. If you are unfamiliar with these laws, consult a qualified attorney.

**Warranty** 1 year parts and labor, Made in USA

### Includes

- ML1-WPCF microphone.
- Warning label (on request).

### Options

- Add -FL in P/N for flying lead output
- Add -LN to P/N for higher performance capsule: -28db sensitivity and 80db S/N ratio