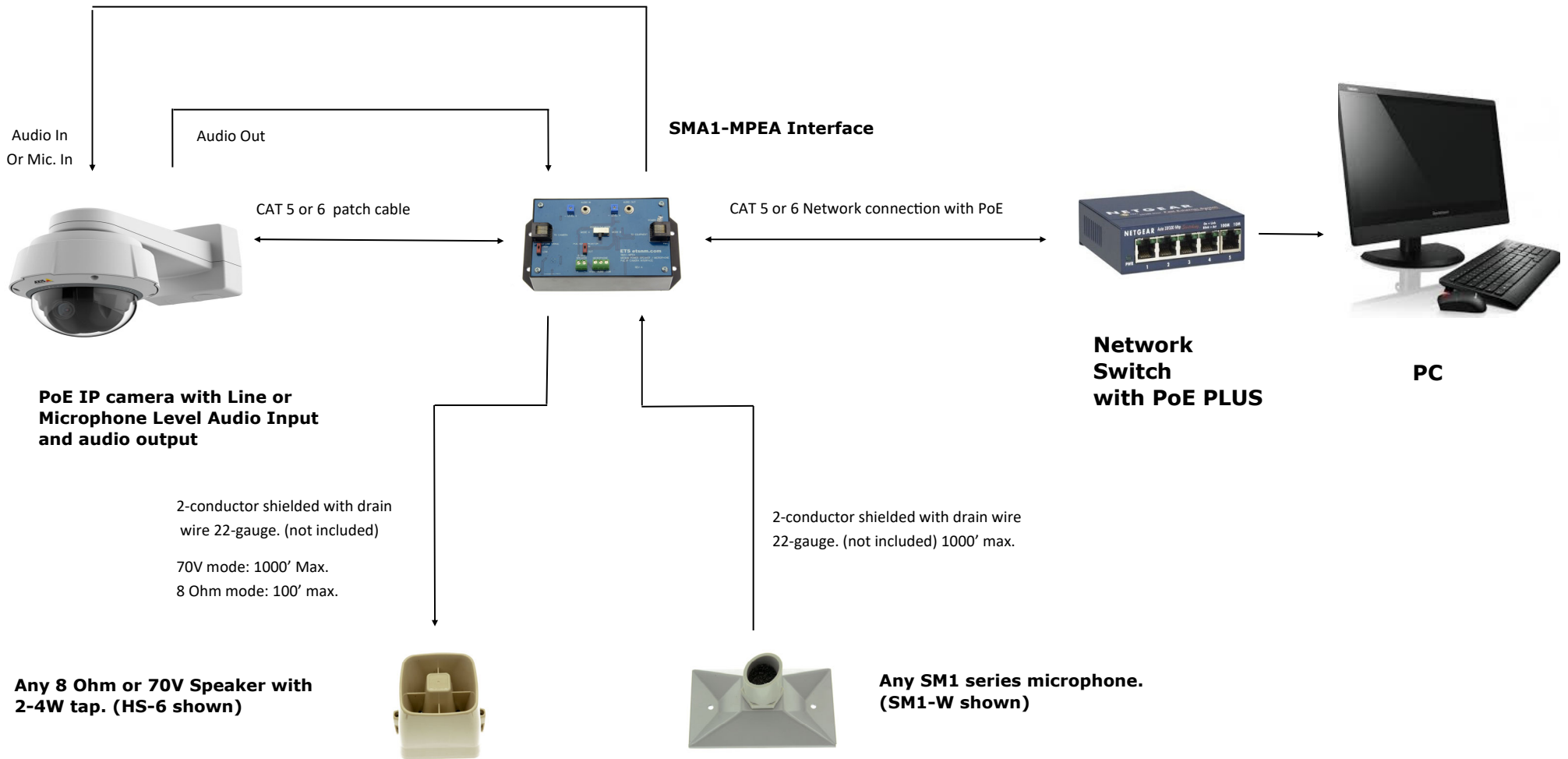


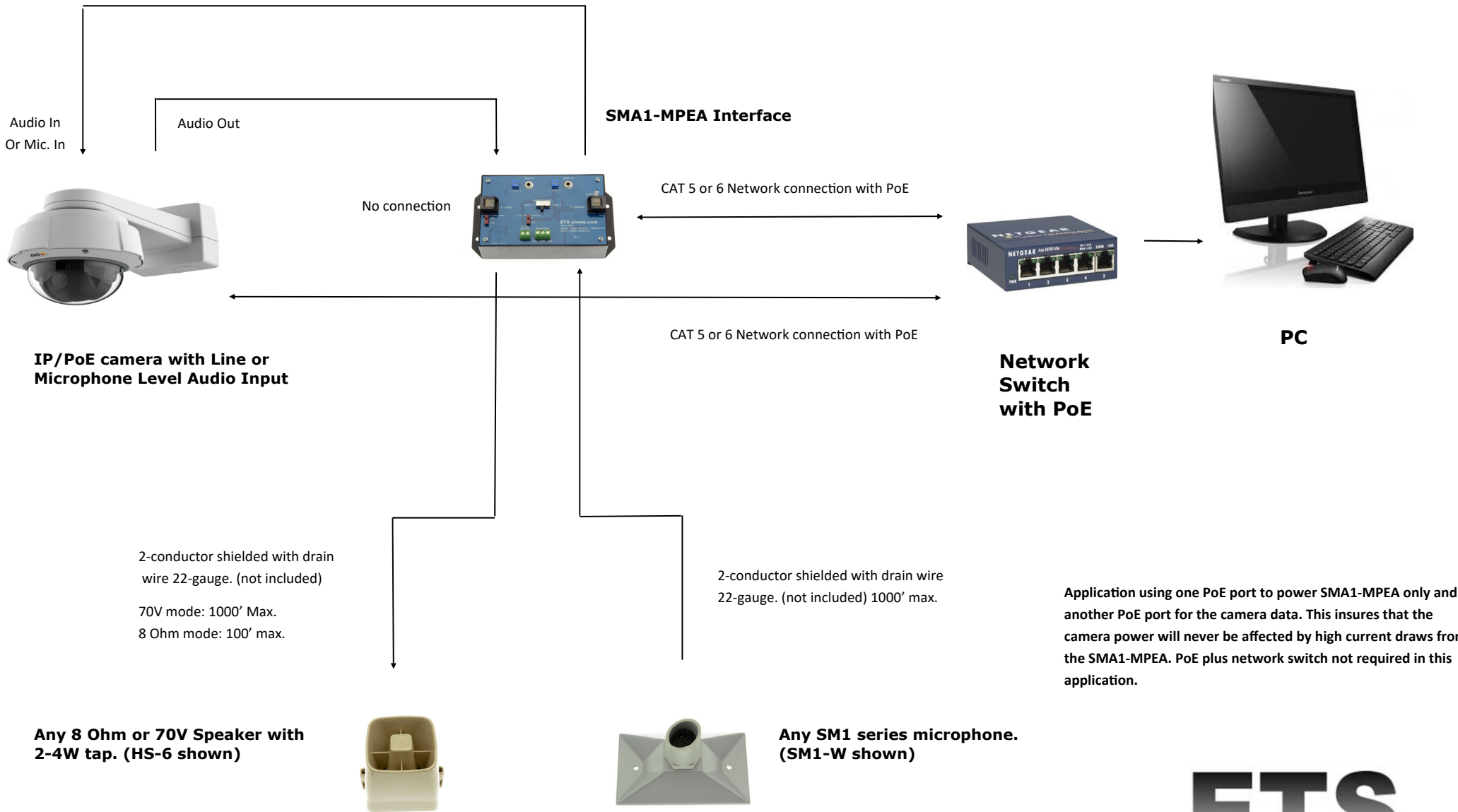
2ea. 6 ft. patch cords. Specify 3.5 mm, RCA or FL (flying leads)



Application Diagram 1 of 2 SMA1-MPEA



2ea. 6 ft. patch cords. Specify 3.5 mm, RCA or FL (flying leads)



Application using one PoE port to power SMA1-MPEA only and another PoE port for the camera data. This insures that the camera power will never be affected by high current draws from the SMA1-MPEA. PoE plus network switch not required in this application.

Application Diagram 2 of 2 SMA1-MPEA

