



Electronic Technical Services Inc.
211 Conchas SE
Albuquerque, NM 87123
PH 505-888-3923 FAX 505-888-3926
Website: www.etsnm.com

Sound Surveillance™

ML1-WBE Weather resistant, Bullet Style Omni-directional Microphone

Description

The ML1-WBE is a low cost, IP54 rated, omni-directional electret microphone for use with IP cameras accepting **microphone level input** signals. (PC compatible input). The attached cord is 6' long and comes standard with a stereo 3.5mm connector on one end. Add -FL to the P/N for a flying lead output for connections to cameras with terminal blocks.

For use with IP cameras accepting microphone level inputs (the camera supplies power to ECM cartridge)



ML1-WBE Specifications

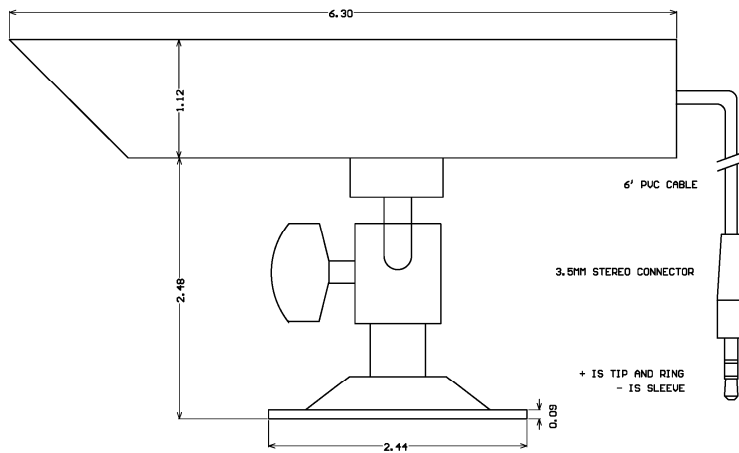
- Omni-directional pattern
- Max SPL 120db
- Frequency response: 50-16khz
- Sensitivity -43db
- -40db output (mic level)
- 2-10Vdc operation
- 2-5k Ohm load resistance
- S/N 60db
- 6' standard length cable
- 3.5mm stereo connector
- Powder coated aluminum housing
- Internal 1/2" thick wind screen
- IP54 rated (additional weather proof fabric baffle)
- Operating temperature -30C to 70C
- Weight: 0.05lbs

Includes

- ML1-WBE microphone.
- Warning label.
- Ball swivel mount

Options

- Cable lengths of up to 25' are available. Add -XX to P/N where XX = number of feet
- Add -FL to P/N for flying lead output
- Add -LN to P/N for higher performance capsule
- Add -UV for UV rated cable and connector
- Add -OW for optional outer windscreen



Caution

It is the responsibility of the installation company and end user to install this audio surveillance equipment in compliance with state and federal privacy laws. If you are unfamiliar with these laws, consult a qualified attorney.

Warranty 1 year parts and labor,

Made in USA